

*Ellison*<sup>®</sup>  
**PRESTIGE™ SELECT**



**Instruction Booklet**

# Table of Contents

---

<b>Safety Instructions</b>	<b>3</b>
<b>Introduction</b>	<b>4</b>
<b>Machine Placement</b>	<b>4</b>
<b>Operating Instructions</b>	<b>5</b>
Using Standard SureCut and ClearCrop Dies	<b>5</b>
Using Extra Large, Extra Large-Long, Extra Wide and Double Cut Dies	<b>6</b>
Using SureCut Crease Rule Dies	<b>7</b>
Suggestions for Successful Cutting	<b>7</b>
<b>Helps &amp; Hints</b>	<b>8</b>
<b>Maintenance</b>	<b>9</b>
Recognizing a Worn Cutting Pad	<b>9</b>
Turning Over or Replacing the Cutting Pad	<b>10</b>
Cleaning Your Machine	<b>11</b>
Keeping Dies Clean	<b>11</b>
Recognizing Worn Bearings	<b>11</b>
Return Your Machine for a Complete Renovation	<b>11</b>
<b>Troubleshooting Solutions</b>	<b>12</b>
<b>Materials Guide</b>	<b>13</b>
<b>Warranties</b>	<b>14</b>
<b>Instructions in Other Languages</b>	<b>16</b>
French	<b>17</b>
German	<b>22</b>
Spanish	<b>27</b>

**For additional help, call Ellison within USA 800.253.2238 or  
outside USA 949.598.8822 or within UK 0871 222 2277 or  
outside UK +44 (0) 845 345 2277  
within USA Fax 800.253.2240 or outside USA Fax 949.598.8835  
[ellison.com/educators](http://ellison.com/educators)**

---

# IMPORTANT SAFETY INSTRUCTIONS

## SAVE THESE INSTRUCTIONS



**Read all the instructions before using the appliance. Read and understand these instructions before using your**

**Prestige Machine. When using this product, basic precautions should always be followed, including the following:**

- To reduce the risk of personal injury, close supervision is necessary when a machine is used near children.
- Do not contact moving parts.
- Only use attachments recommended or sold by the manufacturer.
- Do not use outdoors.
- Hitting Hazard. Keep clear of handle arc and cutting area once handle is lowered. Always keep a firm grip on the handle after each cut when raising it back up.
- Do not overload the machine.
- Cutting hazard. Avoid contact with the die blades.
- Adult supervision of children recommended.

# Introduction

---

Ellison® Prestige® Select arrives assembled and ready to use. Prestige Select will cut multiple sheets of material at a time from a wide variety of products (see Materials Guide pages 13 and 14). Prestige Select applies the pressure to steel-rule dies that cut through the material. The sharp cutting edge of the dies is surrounded by rubber to help protect fingers and to eject the material that has been cut. Place the dies (decorative shapes, letters and numbers sold separately) in the Die Storage Racks (sold separately). See Helps and Hints for a suggested storage method (page 8).

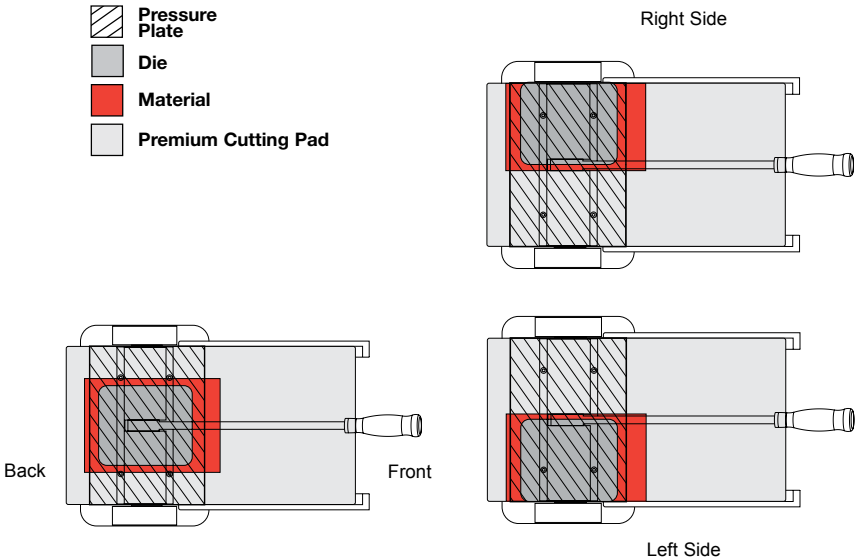
## Machine Placement

---

Place Prestige Select on a smooth, level, non-skid surface at a height that is comfortable for the user when standing. No part of the machine should be allowed to hang over the edge of the work surface.

Place the machine on the work surface with the side of the machine facing the user and the front of the machine to the right (Figure A, page 5).

# Operating Instructions



**Figure A**

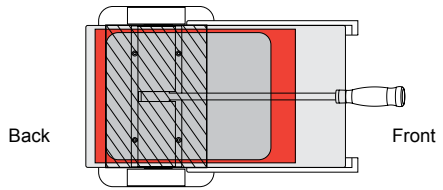
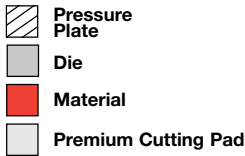
**Figure B**

## Using Standard SureCut™ and ClearCrop™ Dies (Large, Small and Tiny)

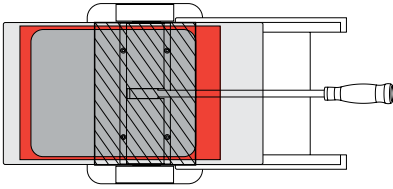
1. Raise the handle all the way up.
2. Place material to be cut against the rubber side of the die and place rubber side down on the Cutting Pad.
3. Slide the Cutting Pad to center the material and die under the Pressure Plate (Figure A).

**Note: Vary die placement from side to side to prolong the life of the Cutting Pad (Figure B).**

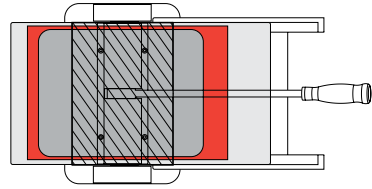
4. Lower the handle one time to cut through the material.
5. Keep a firm grip when raising or lowering the handle.
6. Slide the Cutting Pad out from under the Pressure Plate and remove the die and perfectly cut shapes, letters and numbers.



**Figure C**



**Figure D**

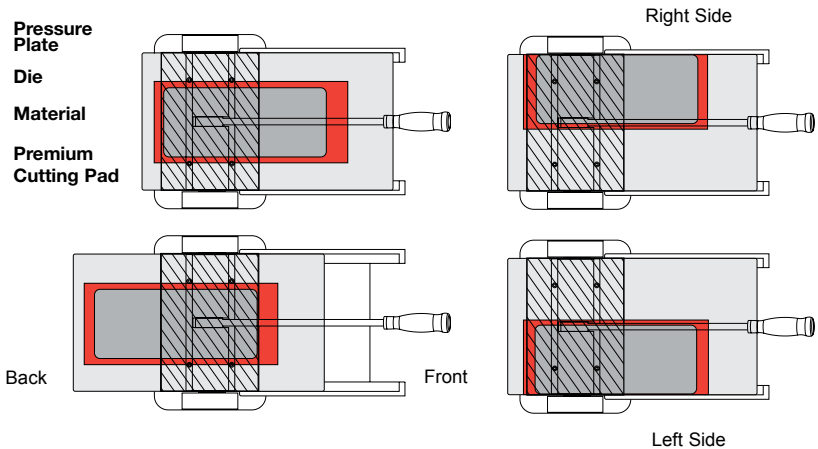
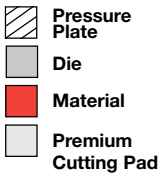


**Figure E**

### Using Extra Large (XL), Extra Large-Long (XL-L), Extra Wide (EW) and Double Cut (DC) SureCut™ or ClearCrop™ Dies

An Extra Large (XL) or Double Cut (DC) Die is twice as long as a Tiny, Small or Large Die and requires two cuts.

1. Raise the handle all the way up.
2. Place the material to be cut against the rubber side of the die and place rubber side down on the Cutting Pad.
3. For XL and DC dies, slide the Cutting Pad to position the material and die so that the edge of the die is flush with the back of the Pressure Plate (Figure C for XL dies and Figure F for DC dies). Vary the die placement for Double Cut (DC) dies from side to side to prolong the life of the Cutting Pad (Figure G, page 7).
4. Lower the handle one time to cut through the material.
5. Raise the handle to slide the Cutting Pad through the machine so the exposed end of the die is now flush with the front end of the Pressure Plate and cut again (Figure D for XL dies and Figure F for DC dies).
6. With some intricate shapes, XL-L dies or EW dies, it may be necessary to cut a third time in the middle of the die. Center die in machine and lower the handle to cut again (Figure E).
7. Keep a firm grip when raising or lowering the handle.
8. Slide the Cutting Pad out from under the Pressure Plate and remove the die and perfectly cut shapes, letters and numbers.



**Figure F**

**Figure G**

### Using SureCut Crease Rule Dies

- A SureCut Crease Rule Die is similar to a regular SureCut Die; however, it contains both cutting (sharp) rule and crease (blunt) rule.
- Use only one sheet of material at a time to prevent the crease (blunt) rule from cutting through the paper.
- Refer to Operating Instructions (page 5).
- If crease rule is cutting through the material rather than creasing the material, remove Mylar Shims one at a time (Figure I, page 9) until desired creasing occurs.

### Suggestions for Successful Cutting

With some XL or DC dies, and with any oversized dies (XL-L or EW), it is helpful to cut an extra time in the middle of the die.

Prestige Select can be used to cut anything scissors can cut. See Materials Guide on pages 13 and 14 for suggestions.

Turn the Cutting Pad over routinely (weekly for high usage), turning from side to side. Turning the Cutting Pad allows both sides to wear evenly. Replace Cutting Pad when both sides are worn and no longer cutting with one pull of the handle.

**Note:** If a Cutting Pad is not turned routinely and is severely worn on one side, it may cause a slight warping of the pad, thereby making it impossible to use the reverse side. Properly discard the Cutting Pad and replace with a new one (see Replacing the Cutting Pad, page 10). NEVER place any material on top of dies. Some Ellison dies come with a Quick Cut Shim pre-attached with instructions. No other dies require a Quick Cut Shim.

# Helps & Hints

---

- With some XL, XL-L, EW or DC dies, it is helpful to cut an extra time in the middle of the die.
- Use Prestige Select to cut a variety of different materials. See Materials Guide on pages 13 and 14 for suggestions.
- Fewer sheets of material may be required when cutting very intricate shapes.
- Use only one sheet of material with SureCut Crease Rule Dies.
- When cutting thin fabrics, place a scrap of paper over the material.
- When cutting with a die that is asymmetrical (uneven distribution of the cutting rule on dies, such as Uppercase “T” or Sailboat), move the die approximately 1/4" farther into the machine so that the end with the greater amount of rule is closer to the center of the machine (under the Pressure Bearings).
- A convenient way to store the dies is on their sides. Place the Die Storage Rack on its side so the dies sit vertically in the rack, not horizontally. Insert the dies alphabetically in the rack from left to right, so they are easier to find and replace. The dies will also slide into the slot with greater ease and are less likely to catch on the shelf divider. (Not applicable to the Wall Storage Rack, the Work Station Rack or Carousel.)
- It is important to use the Die Pick (included in the Tool Kit) to clean out the bits of paper and other material that build up in the joints of the dies (where the cutting or creasing rule meets). If dies are not kept clean, the scraps will eventually push the rule slightly apart. This cleaning is especially important if cutting thick materials such as Flexible Magnetic Sheets, Pop-Up Sponge or Self-Adhesive Felt.



# Maintenance

## Problem

“My dies must be getting dull—they’re not cutting very well anymore.”

## Solution

It’s not the die that needs replacing—it’s the Cutting Pad!

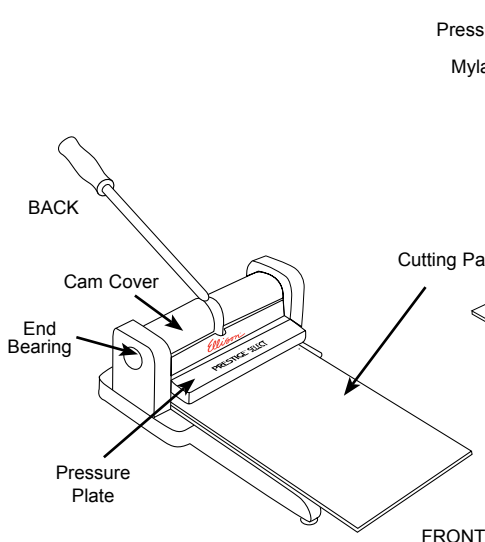


Figure H

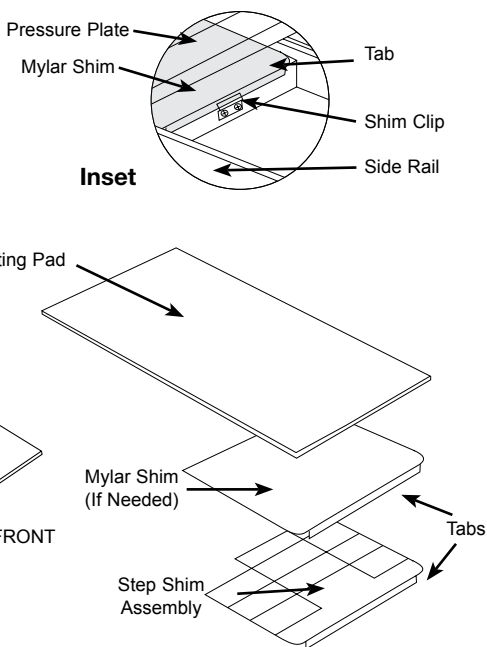


Figure I

## Recognizing a Worn Cutting Pad

Prestige Select requires very little maintenance. After considerable use (usually four to six months), the Cutting Pad (Figures H and I) will become worn. If the machine is not cutting effectively, perform a test cut with four pieces of construction paper, using the Test Die included in the Tool Kit. The Test Die is the same size as the Pressure Plate and should be completely covered by the Pressure Plate when it is inserted in the machine. If the Test Die cuts through the first two layers of paper and only partially cuts the third and/or fourth layer, it is time to turn over or replace the Cutting Pad.

---

## Turning Over or Replacing the Cutting Pad

Prestige Select should cut six to eight layers of construction paper with one pull of the handle, without using scissors.

### Turning the Cutting Pad Over

Turn Cutting Pad over routinely (weekly for high usage), for even wear on both sides.

### Replacing the Cutting Pad

1. When both sides of Cutting Pad no longer cut at least four sheets of construction paper with one pull of the handle, or scissors are required to complete a cut, the Cutting Pad needs to be replaced.
2. Slide the Cutting Pad (Figures H and I, page 9) out of the machine and properly discard.
3. Remove and save all Mylar Shims (Figure I) under the Cutting Pad.
4. Replace the Step Shim Assembly in the machine, making sure the Step Shim Assembly Tab (Figure I, Inset) is securely inserted in the Shim Clip (Inset). Keep the Step Shim Assembly in the machine AT ALL TIMES to properly distribute cutting pressure in the machine.
5. Insert new Cutting Pad into the machine on top of the Step Shim Assembly.
6. Check the Cutting Pad height using the following procedures:
  - a. Place the Test Die (found in the Tool Kit) rubber side down on the Cutting Pad and slide into the machine with NO paper. Then pull the handle down once.
  - b. Slide the die and the Cutting Pad out of the machine to check the impression made by the die on the Cutting Pad. There should be a LIGHT impression of the entire die shape on the Cutting Pad.
  - c. If no impression or an incomplete impression is made, add one Mylar Shim at a time, checking the Test Die impression between the addition of each shim (maximum of four). Make sure the Shim Tabs are completely folded on the crease line and secured in the Shim Clip (Figure I, Inset). There are extra Mylar Shims in the Tool Kit that came with the machine. Always leave the Step Shim Assembly in the machine.
  - d. When an impression appears, try cutting four pieces of construction paper. If all pieces cut completely through, the Cutting Pad height is correct.

---

## Cleaning Your Machine

Over time and due to normal use, the machine will become dirty or dusty. This will happen primarily on the Pressure Plate and Cam Cover (Figure H, page 9). To clean, use only isopropyl alcohol (rubbing alcohol) poured onto a clean paper towel and rub over the Cam Cover and Pressure Plate until it evaporates. Use cotton swabs to get into areas the paper towel doesn't reach. With another clean dry paper towel, wipe off any residue. Isopropyl alcohol may also be used to clean the Base Plate and Instruction Label. It is a good idea to clean the machine every time the Cutting Pad is changed. NEVER use bleach or abrasive cleaners on the machine. The machine DOES NOT need to be oiled or lubricated.

---

## Keeping Dies Clean

It is important to use the Die Pick (included in the Tool Kit) to clean out the bits of paper and other materials that build up in the joints of the dies (where the cutting or creasing rule meets). If dies are not kept clean, the scraps will eventually push the rule slightly apart. This cleaning is especially important if cutting thick materials such as Flexible Magnetic Sheets, Pop-Up Sponge or Self-Adhesive Felt.

---

## Recognizing Worn Bearings

After many years of use, the Bearings may need replacing. If any of the following situations occur, the Pressure Bearings and/or End Bearings need to be replaced:

- Arc-shaped end pieces of the Pressure Bearing Assembly fall out.
  - Needle Bearing withdraws from the Pressure Bearing Assembly as evidenced by small pins showing or falling from the machine. Do not use the machine once this has happened, as damage may occur.
  - A test cut using four pieces of construction paper results in a clean cut (through all four pieces) on the left side of the machine and no cut on the right side (or vice versa).
  - An End Bearing sticks out on one side of the machine. Do not use the machine once this has happened, as damage may occur.
- 

## Return Your Machine for a Complete Renovation

After many years of use, would you like your Prestige Select to cut like new? If so, it's time for a tune-up. For price information sheet and return shipping instructions, call Ellison within USA 800.253.2238 or outside USA 949.598.8822.

# Troubleshooting Solutions

## 1. Dies do not cut all the way through.

Only cut the recommended number of pieces of material and make sure the complete Step Shim Assembly is in the machine. If dies do not cut all the way through with the recommended number of pieces and the Step Shim Assembly is in the machine, then the Cutting Pad is worn out. If Cutting Pad is worn on one side only, turn Cutting Pad over for a fresh cutting surface. If worn on both sides, properly discard and replace with a new Cutting Pad. Review Replacing the Cutting Pad (page 10).

If problem still exists, add one or more Mylar Shims under the Cutting Pad until proper cutting is achieved. Always leave the Step Shim Assembly in the machine. Review Recognizing Worn Bearings (page 11).

## 2. Upper or lower part of die does not cut.

With a Standard Die, make sure it is centered under the Pressure Plate or try positioning the portion not cutting further under the Pressure Plate. With an XL, XL-L, EW or DC die, try cutting an extra time in the middle of the die.

## 3. Dies cut through only part of letter or design.

If solutions 1 and 2 have been tried and the dies still don't cut completely, try cutting fewer pieces of material at a time. Very large or intricate shapes (e.g., Snowflake or Spider) require more pressure and may not cut through as many thicknesses.

## 4. Edges of letters not smooth.

Cutting Pad is rough. Turn Cutting Pad over. If both sides are worn, replace with a new Cutting Pad. Review Turning Over or Replacing the Cutting Pad (page 10).

## 5. Paper letters/shapes come out wrinkled or “embossed.”

Press the handle down only far enough to cut (about 3/4 of the way down) or cut fewer sheets. Center die under the Pressure Plate.

## 6. Center of Cutting Pad is wearing out quickly.

Keep Standard Dies centered under the Pressure Plate but vary die placement from side to side to even wear across the entire Cutting Pad.

## 7. Die rubber worn, missing or loose.

Use yellow woodworking glue to attach loose rubber to the dies. If the rubber is worn or missing, call Ellison for re-rubbing instructions.

## 8. Rubber does not eject all parts of the cut material.

Use the Die Pick to remove excess material after each use. If rubber is worn or missing, call Ellison for re-rubbing instructions.

# Materials Guide

As a general rule, Prestige Select will cut anything that scissors will cut. However, the machine bearings will last longer if the machine is not overloaded. The number of pieces of material that it will cut depends on the thickness of the material to be cut and the size and intricacy of the die design. **Use only one sheet of material when cutting with SureCut Crease Rule Dies.**

- A backing paper should be placed on felt or delicate materials to aid in cutting. Backing paper will be closest to Cutting Pad when inserted in machine.
- It may be necessary to use fewer sheets of material with a few very intricate shapes (e.g., Snowflake or Spider).
- Use only one sheet of material when cutting with a SureCut CreaseRule Die.

Number of Pieces *	Product
1	Aluminum .016"
1	Balsa Wood 3/32"
1	Basswood
1	Brass .005"
1	Bubble Wrap
8	Butcher Paper
6	Cardstock/Cover Stock
4-5	Cardstock, Laminated
1-2	Chipboard
6-8	Construction Paper
4-6	Construction Paper, Laminated
8	Copier Paper
1	Cork, Self-Adhesive 1/8"
5	Decorator Foil
1	Embossing Rubber
Varies	Fabric (Cotton, Linen, etc., as many pieces as will fit with a piece of paper)
1	Fabric, Iron-On
Varies	Felt (as many pieces as will fit with a piece of paper)
1	Felt, Self-Adhesive
1	Fun Foam
3	Funky Film
2	Funky Fur
10	Gift Wrap
1	Leather
1	Magnet, Flexible Sheets
1	Magnet, Self-Adhesive
1	Mat Board

3	PaperWood
1	Personalized Embossing Plastic (PEP)
1	Plastic, Shrink Film
1	Poly Foam
2	Poster Board
1	Quilt Batting
2	RuffleBoard
1	Rubber, Self-Adhesive
1	Sandpaper, Fine 00 (paper side up); limit usage, can wear rule on die
3	Shelving Paper, Adhesive
4	Shiny Paper, Self-Adhesive
1	Shrink Film
1	Sponge, Pop-Up
2	Tag Board
1	Tin .008
6	Tissue, Laminated
3	Vellum Paper
3	Vinyl, Static Cling
5	Wallpaper

\* Intricate designs may cut fewer copies.

## Warranties

### Prestige Select Limited Lifetime Warranty

#### What Does This Warranty Cover?

This warranty covers any manufacturing defects in your Ellison Prestige Select Die-cutting Machine (the "Product").

#### How Long Does The Warranty Last?

This Product comes with a lifetime warranty. You should retain your receipt as proof of purchase, which may be required in connection with obtaining warranty service.

#### What Will Ellison Do?

Ellison will repair or replace any manufacturing defects for Products returned during the Product's lifetime.

---

## What Does This Warranty Not Cover?

This warranty does not cover damages or defects caused by misuse or abuse of the Product, or use of the Product for commercial, rather than personal or institutional, applications. Cutting pads and bearing assembly are excluded from this warranty.

**Disclaimers.** ELLISON SHALL NOT BE LIABLE FOR CONSEQUENTIAL AND INCIDENTAL DAMAGES, DAMAGES FOR BODILY INJURY (INCLUDING DEATH) AND DAMAGES TO PROPERTY. THE DURATION OF ANY IMPLIED WARRANTIES SHALL BE LIMITED TO THE DURATION OF THE EXPRESS WARRANTY SET FORTH ABOVE. SOME STATES DO NOT ALLOW THE EXCLUSION OR LIMITATION OF INCIDENTAL OR CONSEQUENTIAL DAMAGE, DAMAGES FOR PERSONAL INJURY, OR THE LENGTH OF IMPLIED WARRANTIES, SO THESE LIMITATIONS MAY NOT APPLY TO YOU. THIS WARRANTY GIVES YOU SPECIFIC LEGAL RIGHTS, AND YOU MAY ALSO HAVE OTHER RIGHTS WHICH VARY FROM STATE TO STATE.

## How Do You Get Warranty Service?

If you believe that there is a manufacturing defect in your Product during the warranty period, contact Ellison Customer Service at the following telephone number or website:

[ellison.com/educators](http://ellison.com/educators)

800.253.2238 toll-free in USA

949.598.8822 outside USA

0871 222 2277 within UK

+44 (0) 845 345 2277 outside UK

A Return Authorization (RA), along with shipping information, will be issued. Following a determination by Ellison that a fault covered by this warranty may have occurred, Ellison will: (a) ship you replacement parts or (b) ship you a replacement Product. Product not covered by this warranty will be returned at your expense.

---

## Ellison SureCut and ClearCrop Die Limited Warranties

Ellison SureCut Dies and SureCut Crease-Rule Dies come with a 3-year limited warranty. ClearCrop acrylic dies come with a 2-year limited warranty. Visit [Ellison.com/support](http://Ellison.com/support) for further details concerning die warranties.

Revised: LGL/073008/v1

# PRESTIGE™ SELECT



## Instructions in Other Languages

---

<b>French</b>	17
<b>German</b>	22
<b>Spanish</b>	27



## CONSIGNES DE SÉCURITÉ IMPORTANTES CONSERVER CES INSTRUCTIONS

**Lire toutes les instructions avant d'utiliser cet appareil. Avant d'utiliser l'appareil Prestige, il est important de lire et comprendre toutes ces instructions. Lors de l'utilisation de ce produit, il faut toujours respecter certaines précautions élémentaires, notamment :**

- Pour réduire le risque de blessure, il est nécessaire d'effectuer une surveillance stricte lorsque l'appareil est utilisé à proximité d'un enfant.
- Ne pas toucher les pièces mobiles.
- Utiliser uniquement les accessoires recommandés ou vendus par le fabricant.
- Ne pas l'utiliser à l'extérieur.
- Risque de heurt pour l'utilisateur. Se tenir à l'écart du champ de rotation de la manette et de la surface de découpage une fois que la manette a été abaissée. Toujours empoigner fermement la manette pour la relever après chaque découpe.
- Ne pas surcharger l'appareil.
- Risque de coupure. Éviter tout contact avec la lame des matrices.
- Il est recommandé de surveiller les enfants pendant son utilisation.

### Présentation

L'appareil Ellison® Prestige® Select est déjà monté et prêt à l'emploi. Le Prestige Select découpe plusieurs feuilles à la fois pouvant provenir d'une grande variété de matériaux (cf. Guide des matériaux, p. 13 et 14). Le Prestige Select fait pression sur les matrices à bande d'acier qui coupent le matériau. Les bords aiguisés de la matrice sont entourés de caoutchouc pour protéger les doigts et éjecter le matériau découpé. Conserver les matrices (formes décoratives, lettres et chiffres vendus séparément) dans le casier de rangement (vendu séparément). Consulter le paragraphe Trucs et Astuces pour des suggestions de rangement (p. 8).

### Positionnement de l'appareil

Placer le Prestige Select sur une surface lisse, horizontale et antidérapante à une hauteur confortable pour l'utilisateur se tenant debout. Aucune partie de l'appareil ne doit dépasser les bords de la surface de travail.

Mettre l'appareil sur la surface de travail en positionnant le côté de l'appareil face à l'utilisateur et le devant de l'appareil sur la droite (figure A, p. 5).

### Mode d'emploi

#### Utilisation des matrices Standard SureCut™ et ClearCrop™ (grandes, petites et minuscules)

1. Relever la manette jusqu'en haut.
2. Placer le matériau à découper contre la face caoutchoutée de la matrice et disposer la face en question vers le bas sur le tapis de découpe.
3. Faire glisser le tapis de découpe pour centrer le matériau et la matrice sous la plaque de compression (figure A).

Remarque : il est conseillé d'alterner le positionnement de la matrice d'un côté à l'autre pour prolonger la durée de vie du tapis de découpe (figure B).

4. Abaisser une fois la manette pour couper le matériau.
5. Empoigner fermement la manette pour la lever ou l'abaisser.
6. Faire glisser le tapis de découpe en dehors de la plaque de compression et retirer la matrice ainsi que les formes, chiffres et lettres parfaitement bien découpés.

#### Utilisation des matrices SureCut™ ou ClearCrop™ extra grande (XL), extra grande-longue (XL-L), extra wide (EW) et double coupe (DC)

**Une matrice extra grande (XL) ou double coupe (DC) est deux fois plus longue qu'une matrice minuscule, petite ou grande et nécessite deux découpes.**

1. Relever la manette jusqu'en haut.
2. Placer le matériau à découper contre la face caoutchoutée de la matrice et disposer la face en question vers le bas sur le tapis de découpe.
3. Pour les matrices XL et DC, faire glisser le tapis de découpe pour positionner le matériau et la matrice de sorte que les bords de la matrice se trouvent contre le dos de la plaque de compression (figure C pour les matrices XL et figure F pour les matrices DC). Il est conseillé d'alterner le positionnement des matrices double-coupe (DC) d'un côté à l'autre pour prolonger la durée de vie du tapis de découpe (figure G, p. 7).
4. Abaisser une fois la manette pour couper le matériau.
5. Relever la manette pour faire glisser le tapis de découpe dans l'appareil, de sorte que la face exposée de la matrice se trouve contre le devant de la plaque

de compression et coupe (figure D pour les matrices XL et figure F pour les matrices DC).

6. Avec certaines formes complexes les matrices XL-L ou les matrices EW il peut être nécessaire de couper une troisième fois au milieu de la matrice. Centrer la matrice dans l'appareil et abaisser la manette pour couper à nouveau (figure E).
7. Empoigner fermement la manette pour la lever ou l'abaisser.
8. Faire glisser le tapis de découpe en dehors de la plaque de compression et retirer la matrice ainsi que les formes, chiffres et lettres parfaitement bien découpés.

#### **Utilisation des matrices à filet rainuré SureCut**

- Les matrices à filet rainuré SureCut sont similaires aux matrices SureCut classiques. Elles diffèrent toutefois par la présence d'une bande coupante (aiguillée) et d'un filet rainuré (émoussé).
- Prendre soin de n'utiliser qu'une seule feuille de matériau à la fois pour éviter que le filet rainuré (émoussé) ne coupe le papier.
- Se reporter au Mode d'emploi (p. 5).
- Si le filet rainuré coupe le matériau au lieu de le rainurer, retirer les cales de mylar une à la fois (figure I, p. 9) jusqu'à l'obtention de l'effet désiré.

#### **Suggestions pour réussir vos découpages**

Avec certaines matrices XL ou DC, ou avec toutes les matrices de très grande taille (XL-L ou EW), il est utile de couper une autre fois au milieu de la matrice.

Le Prestige Select peut découper tout ce qui peut l'être avec des ciseaux. Consulter le Guide des matériaux (p. 13 et 14) pour y découvrir des suggestions.

Retourner régulièrement le tapis de découpe (chaque semaine en cas de grande utilisation), en alternant d'un côté à l'autre. Le niveau d'usure est ainsi le même sur les deux côtés du tapis. Remplacer le tapis de découpe lorsque les deux côtés sont usés et ne coupent plus d'un simple coup de manette.

Remarque : si le tapis de découpe n'est pas régulièrement retourné et présente une usure importante d'un seul côté, cela risque de provoquer une légère déformation qui rendra impossible l'utilisation de l'autre côté. Jeter le tapis de découpe usé et le remplacer par un nouveau (cf. Remplacer le tapis de découpe, p. 10). NE JAMAIS mettre de matériau sur les matrices. Certaines matrices Ellison sont fournies avec une cale de découpe rapide (Quick Cut Shim) pré-assemblée et accompagnée d'instructions. Aucune autre matrice ne nécessite de cale Quick Cut.

#### **Trucs & Astuces**

- Avec certaines matrices XL, XL-L, EW ou DC, il est utile de couper une fois de plus au milieu de la matrice.
- Utiliser le Prestige Select pour découper une grande variété de matériaux. Consulter le Guide des matériaux (p. 13 et 14) pour y découvrir des suggestions.
- Il peut être nécessaire d'utiliser moins de feuilles d'un matériau pour découper des formes très complexes.
- N'utiliser qu'une seule feuille de matériau avec les matrices à filet rainuré SureCut.
- Pour couper des tissus fins, mettre un morceau de papier sur le matériau à découper.
- Pour découper avec une matrice asymétrique (distribution inégale du filet rainuré sur les matrices, comme pour un « T » majuscule ou un bateau à voile), faire avancer la matrice d'environ 6 mm (1/4 po.) dans l'appareil de sorte que l'extrémité ayant le plus de filets soit la plus proche du centre de l'appareil (sous les roulements de compression).
- La meilleure façon de ranger les matrices est de les placer sur le côté. Mettre le casier de rangement sur le côté de sorte que les matrices soient à la verticale dans le casier, et non à l'horizontale. Insérer les matrices par ordre alphabétique dans le casier, de la gauche vers la droite, pour faciliter le repérage et le remplacement. Les matrices se glissent dans l'encoche plus facilement et sont moins susceptibles de s'accrocher contre la cloison. (Ceci ne s'applique pas au casier de rangement au mur, au casier de rangement sur le poste de travail et au carrousel.)
- Il est important d'utiliser la pique pour matrice (incluse dans le Kit d'accessoires) pour éliminer les petits bouts de papier et autres matériaux qui s'accumulent dans les mors des matrices (points de rencontre des filets de découpage et de rainure). À défaut d'un nettoyage régulier des matrices, les petits bouts et fragments de matériaux finiront par écarter légèrement le filet. Ce nettoyage est particulièrement important en cas de découpe de matériaux épais tels que les feuilles magnétiques souples, les éponges à gonfler ou le feutre autocollant.

#### **Entretien**

Problème – «Je pense que mes matrices sont émoussées car elles ne coupent plus convenablement.»

Solution – Ce n'est pas la matrice qu'il faut remplacer, mais le tapis de découpe!

#### **Identification de l'usure du tapis de découpe**

L'appareil Prestige Select ne nécessite qu'un très peu d'entretien. En cas de très grande utilisation (quatre à six mois, généralement), le tapis de découpe (figures H et I) s'use. Si l'appareil ne coupe pas bien, il convient de faire un test avec quatre feuilles de papier de bricolage, à l'aide de la matrice de test (incluse dans le kit d'accessoires). La matrice de test est de la même taille que la plaque de compression et doit être entièrement recouverte par cette dernière lors de son insertion dans l'appareil. Si la matrice de test coupe les deux premières couches de papier et ne coupe que partiellement la troisième ou la quatrième couche, cela signifie qu'il faut retourner ou remplacer le tapis de découpe.

#### **Retourner ou remplacer le tapis de découpe**

Le Prestige Select doit être en mesure de couper entre six et huit couches de papier de bricolage d'un seul coup de manette, sans avoir recours à l'utilisation de ciseaux. Retourner le tapis de découpe

Retourner régulièrement le tapis de découpe (chaque semaine en cas de grande utilisation), afin d'user de manière équivalente les deux côtés.

Remplacer le tapis de découpe

1. Lorsqu'aucun des deux côtés du tapis n'est en mesure de couper un minimum de quatre feuilles de papier de construction d'un seul coup de manette, ou qu'il s'avère nécessaire d'utiliser des ciseaux pour finaliser le découpage, cela signifie qu'il faut remplacer le tapis de découpe.
2. Faire glisser le tapis de découpe (figures H et I, p. 9) hors de l'appareil et le mettre au rebut.
3. Retirer et conserver toutes les cales de mylar (figure I) sous le tapis de découpe.
4. Remplacer l'ensemble de cales (Step Shim Assembly) en s'assurant que le taquet de l'ensemble de cales (figure I, schéma) est bien inséré dans l'attache clip (schéma). Maintenir EN PERMANENCE l'ensemble des cales dans l'appareil afin de bien distribuer la pression de coupe dans l'appareil.
5. Insérer le nouveau tapis de découpe dans l'appareil par-dessus l'ensemble de cales.
6. Vérifier la hauteur du tapis de découpe en respectant la procédure suivante :
  - a. Placer la matrice de test (disponible dans le Kit d'accessoires) face caoutchoutée vers le bas sur le tapis de découpe et faire glisser dans l'appareil SANS papier. Abaisser une fois la manette.
  - b. Faire glisser la matrice et le tapis de découpe hors de l'appareil pour vérifier l'empreinte laissée par la matrice sur le tapis de découpe. Le tapis de découpe doit comporter une LÉGÈRE empreinte de l'ensemble de la forme de la matrice.
  - c. En l'absence d'empreinte ou en cas d'empreinte incomplète, il convient d'ajouter une cale de mylar à la fois, en vérifiant l'empreinte laissée par la matrice de test entre chaque ajout (quatre maximum). S'assurer que les taquets des cales sont complètement pliés sur la ligne du filet rainure et fixés dans le clip de la cale (figure I, schéma). Le Kit d'accessoire fourni avec l'appareil contient des cales de mylar supplémentaires. Toujours laisser l'ensemble des cales dans l'appareil.
  - d. Lorsqu'une empreinte est effectuée, essayer de couper quatre feuilles de papier de bricolage. Si les quatre feuilles sont parfaitement découpées, cela signifie que le tapis de découpe est à la bonne hauteur.

#### **Nettoyage de l'appareil**

Avec le temps et l'usage, il est normal que la machine devienne sale ou poussiéreuse. La plaque de compression et le couvercle de came seront principalement atteints (figure H, p. 9). Pour nettoyer l'appareil, utiliser exclusivement de l'alcool isopropylique (alcool à brûler). Verser l'alcool à brûler sur une serviette en papier propre et frotter le couvercle de came et la plaque de compression jusqu'à évaporation de l'alcool. Utiliser des coton-tiges pour nettoyer les zones difficiles à atteindre avec les serviettes en papier. Essuyer tout résidu avec une nouvelle serviette en papier propre et sèche. L'alcool isopropylique peut également être utilisé pour nettoyer la plaque de base et l'étiquette d'instructions. Il est conseillé de nettoyer l'appareil lors de chaque changement du tapis de découpe. NE JAMAIS utiliser d'eau de Javel ou de produits nettoyants abrasifs sur l'appareil. L'appareil ne doit PAS être huilé ou lubrifié.

#### **Maintien de la propreté des matrices**

Il est important d'utiliser la pique pour matrice (incluse dans le Kit d'accessoires) pour éliminer les petits bouts de papier et autres matériaux qui s'accumulent dans les mors des matrices (points de rencontre des filets de découpage et de rainure).

À défaut d'un nettoyage régulier des matrices, les petits bouts et fragments de matériaux finiront par écarter légèrement le filet. Ce nettoyage est particulièrement important en cas de découpe de matériaux épais tels que les feuilles magnétiques souples, les éponges à gonfler ou le feutre autocollant

#### **Identification de l'usure des roulements**

Après plusieurs années d'utilisation, il peut s'avérer nécessaire de remplacer les roulements. Remplacer les roulements de compression et/ou les paliers de bout dans l'une des situations ci-après :

- Les pièces terminales courbées des roulements de compression tombent.
- Le roulement à aiguilles se retire de l'ensemble des roulements de compression ; cela se manifeste par des petites aiguilles qui apparaissent ou tombent de l'appareil. Si cela se produit, ne pas utiliser l'appareil sous peine de dommages.
- Un découpage de test sur quatre feuilles de papier de bricolage produit une coupe nette (des quatre feuilles) d'un côté de l'appareil et pas de l'autre.
- Un palier de bout fait saillie d'un côté de l'appareil. Si cela se produit, ne pas utiliser l'appareil sous peine de dommages.

#### **Retourner l'appareil pour une remise en état complète**

Après plusieurs années d'utilisation, que diriez-vous si le Prestige Select coupait comme au premier jour ? Une mise au point s'impose. Pour obtenir les tarifs et les instructions concernant l'expédition des retours, appeler Ellison au 800.253.2238 (États-Unis) ou au 949.598.8822 (international).

#### **Dépannage**

**1.** Les matrices ne coupent pas complètement.

Ne couper que le nombre de feuilles de matériau recommandé et s'assurer que l'ensemble des cales dans sa totalité est présent dans l'appareil. Si les matrices ne coupent pas jusqu'au bout en n'ayant pas dépassé le nombre de feuilles recommandé et que l'ensemble des cales se trouve dans l'appareil, cela signifie que le tapis de découpe est usé. Si le tapis de découpe n'est usé que d'un seul côté, retourner le tapis de découpe pour obtenir une surface de découpe comme neuve. S'il est usé des deux côtés, il convient de le mettre au rebut et de le remplacer par un nouveau tapis. Voir le paragraphe Remplacer le tapis de découpe (p. 10).

Si le problème persiste, ajouter une ou plusieurs cales de mylar sous le tapis de découpe jusqu'à l'obtention d'un découpage acceptable. Veiller à toujours laisser l'ensemble des cales dans l'appareil. Voir le paragraphe Identification de l'usure des roulements (p. 11).

**2.** La partie supérieure ou inférieure de la matrice ne coupe pas.

Avec les matrices classiques, s'assurer qu'elles sont centrées sous la plaque de compression ou essayer de positionner la portion ne coupant pas le plus loin de la plaque de compression. Avec les matrices XL, XL-L, EW ou DC, il faut essayer de couper une nouvelle fois au milieu de la matrice.

**3.** Les matrices ne découpent qu'une partie de la lettre ou du dessin.

Si les solutions 1 et 2 ont été essayées sans remédier au problème, il convient alors d'essayer de découper moins de morceaux de matériau à la fois. Les formes très grandes ou complexes (par exemple, un flocon de neige ou une araignée) exigent une compression supérieure et risquent de ne pas pouvoir découper autant d'épaisseur.

**4.** Les contours des lettres ne sont pas lisses.

Cela signifie que le tapis de découpé est rugueux. Essayer de retourner le tapis de découpe. S'il est usé des deux côtés, le remplacer par un nouveau tapis. Voir le paragraphe Retourner ou remplacer le tapis de découpe (p. 10).

**5.** Les lettres/formes en papier sont chiffonnées ou « gaufrées ».

N'appuyer sur la manette que jusqu'à la découpe (environ  $\frac{3}{4}$  vers le bas) ou couper moins de feuilles. Centrer la matrice sous la plaque de compression.

**6.** Le centre du tapis de découpe est rapidement usé.

Garder les matrices classiques au milieu de la plaque de compression, mais il faut varier d'un côté à l'autre le positionnement des matrices pour homogénéiser l'usure sur tout le tapis de découpe.

**7.** Le caoutchouc de la matrice est usé, manquant ou se détache.

Utiliser la colle à bois « jaune » pour fixer le caoutchouc mobile à la matrice.

Si le caoutchouc est usé ou manquant, contacter Ellison pour savoir comment recaoutchouter les matrices.

**8.** Le caoutchouc n'éjecte pas toutes les parties du matériau découpé.

Après chaque utilisation, éliminer l'excès de matériau avec la pique pour matrice.

Si le caoutchouc est usé ou manquant, contacter Ellison pour savoir comment recaoutchouter les matrices.

#### **Guide des matériaux**

En règle générale, le Prestige Select coupe tout ce qui peut l'être avec des ciseaux. Cependant, les rouleaux de l'appareil dureront plus longtemps si l'appareil n'est pas surchargé. Le nombre de morceaux qui peuvent être coupés dépend de l'épaisseur du matériau, ainsi que de la taille et de la complexité du dessin de la matrice. N'utiliser qu'une seule feuille de matériau pour découper avec les matrices à filet rainuré SureCut.

- Il est conseillé d'utiliser un papier protecteur sur le feutre et les matériaux délicats pour faciliter la découpe. Le papier protecteur sera le plus proche du tapis de découpe lorsqu'il est inséré dans l'appareil.
- Il peut s'avérer nécessaire d'utiliser moins de feuilles d'un matériau donné pour découper certaines formes très complexes (par exemple, un flocon de neige ou une araignée).
- N'utiliser qu'une seule feuille de matériau pour découper avec une matrice à filet rainuré SureCut.

### Garanties

#### **GARANTIE LIMITÉE À VIE d'Ellison® Prestige™ Select**

Couverture de la garantie. Cette garantie couvre tout défaut de fabrication de votre appareil de découpage à la presse Ellison Prestige Select (ci-après, le « Produit »). Durée de la garantie. Ce produit est garanti à vie. Conservez votre facture en guise de preuve d'achat ; cette dernière peut être nécessaire pour bénéficier de réparations sous garantie.

Engagement d'Ellison. Ellison s'engage à réparer ou remplacer tout défaut de fabrication des Produits retournés pendant la durée de vie du Produit.

Clause de non-garantie. Cette garantie ne couvre pas les dommages ou défauts occasionnés par une mauvaise utilisation ou un abus du Produit, ou une utilisation du Produit à des fins commerciales et non personnelles ou institutionnelles. La plaque de glissement, le rouleau supérieur et les glissoirs en plastique ne sont pas couverts sous cette garantie.

**Avis de non-responsabilité.** ELLISON NE PEUT ÊTRE TENU RESPONSABLE DES DOMMAGES INDIRECTS ET ACCESSOIRES, DES DOMMAGES POUR PRÉJUDICE CORPOREL (Y COMPRIS LE DÉCÈS) ET DES DOMMAGES AUX BIENS. LA DURÉE DE TOUTE GARANTIE TACITE EST LIMITÉE À LA DURÉE DE LA GARANTIE EXPRESSE ÉNONCÉE CI-DESSUS. CERTAINS ÉTATS NE PERMETTENT PAS L'EXCLUSION OU LA LIMITATION DES DOMMAGES ACCESSOIRES OU INDIRECTS, DES DOMMAGES POUR PRÉJUDICE CORPOREL OU DE LA DURÉE DES GARANTIES TACITES. PAR CONSÉQUENT, LES LIMITATIONS SUSMENTIONNÉES PEUVENT NE PAS VOUS CONCERNER. CETTE GARANTIE VOUS DONNE DES DROITS LÉGAUX SPÉCIFIQUES, OUTRE LES DROITS QUE VOUS POUVEZ AVOIR DANS VOTRE ÉTAT DE RÉSIDENCE (CES DROITS VARIENT SELON LES ÉTATS).

Obtention des réparations sous garantie

Si vous pensez qu'il y a un défaut de fabrication de votre Produit pendant la période de garantie, contactez le service après-vente d'Ellison en consultant le site web ou en appelant l'un des numéros suivants :

[ellison.com/educators](http://ellison.com/educators)

+1-800-253-2238 Appel gratuit aux États-Unis

+1-949-598-8822 Hors des États-Unis

+0871-222-2277 Dans Royaume-Uni

+44-0-845-354-2277 Hors des Royaume-Uni

Une autorisation de retour (AR) ainsi que les détails d'expédition vous seront communiqués. Lorsqu'Ellison a déterminé qu'une défaillance couverte sous cette garantie a eu lieu, Ellison : (a) vous enverra des pièces de rechange ou (b) vous enverra un produit de remplacement. Tout produit n'étant pas couvert sous cette garantie sera retourné à vos frais.

#### **Garantie limitée des matrices ClearCrop et SureCut d'Ellison**

Les matrices SureCut d'Ellison sont garanties limitée pendant 3 ans. Les matrices ClearCrop sont garanties limitée pendant 2 ans. Nous garantissons que les matrices seront exemptes de défaut de matériau ou de fabrication et, si elles sont utilisées et entretenues selon les consignes de ce livret d'instructions, qu'elles rempliront les fonctions prévues. Pour l'information complète de garantie, visitez [Ellison.com/support](http://Ellison.com/support).

Révisé: LGL/073008/v1

## WICHTIGE SICHERHEITSHINWEISE

### BITTE BEWAHREN SIE DIESE ANLEITUNG AUF

Lesen Sie die gesamte Anleitung vor Gebrauch des Geräts durch. Machen Sie sich vor Gebrauch des Prestige Geräts mit dieser Anleitung vertraut. Beim Einsatz dieses Produkts sind stets grundlegende Vorsichtsmaßnahmen zu befolgen, einschließlich der folgenden:

- Um Verletzungsgefahr zu vermeiden, sollten Kinder in der Nähe der Maschine besonders beaufsichtigt werden.
- Die beweglichen Teile nicht berühren.
- Nur das vom Hersteller empfohlene oder verkaufte Zubehör verwenden.
- Nicht im Freien verwenden.
- Hiebgefahr. Halten Sie sich vom Schnittkreis des Hebels und von der Schnittfläche entfernt, nachdem der Hebel nach unten gedrückt wurde. Halten Sie den Hebel beim Anheben nach jedem Schnitt immer gut fest.
- Das Gerät nicht überladen.
- Schnittgefahr. Vermeiden Sie Kontakt mit den Klingen.
- Kinder sollten das Gerät nur unter Aufsicht von Erwachsenen benutzen.

### Einführung

Ellison® Prestige® Select wird vollständig montiert und einsatzbereit geliefert. Prestige Select schneidet mehrere Materiallagen in einem Durchgang und kann für unterschiedliche Produkte verwendet werden (siehe Materialliste auf Seite 13 und 14). Mit Prestige Select wird Druck auf Stanzeisen aus Stahl ausgeübt, die das Material durchschneiden. Die scharfe Schneidklinge der Stanzeisen ist zum Schutz der Finger und zum Auswerfen des gestanzten Materials von Gummi umgeben. Bewahren Sie Stanzeisen (dekorative Formen, Buchstaben und Zahlen separat erhältlich) im separat erhältlichen Stanzeisenregal auf. Unter „Hilfe und Tipps“ finden Sie Aufbewahrungsempfehlungen (siehe Seite 8).

### Aufstellen des Geräts

Stellen Sie das Prestige Select Gerät auf eine glatte, ebene und rutschfeste Arbeitsfläche in einer Höhe, die ein bequemes Arbeiten im Stehen erlaubt. Achten Sie darauf, dass keine Geräteteile über die Kante der Arbeitsfläche hinausragen. Stellen Sie die Maschine so auf die Arbeitsfläche, dass die Seite der Maschine auf den Benutzer und die Vorderseite nach rechts zeigt (siehe Abb. A, Seite 5).

### Bedianungsanleitung

#### Bei Verwendung von regulären SureCut™ und ClearCrop™ Stanzeisen (groß, klein und winzig)

1. Stellen Sie den Hebel ganz nach oben.
2. Legen Sie das zu schneidende Material an der Gummiseite des Stanzeisens an und legen Sie diese mit der Gummiseite nach unten auf die Stanzplatte.
3. Zentrieren Sie das Material und das Stanzeisen unter der Druckplatte, indem Sie die Stanzplatte verschieben (siehe Abb. A).

Hinweis: Variieren Sie die Position des Stanzeisens seitlich, um die Lebensdauer der Schnittplatte zu verlängern (siehe Abb. B).

4. Drücken Sie den Hebel einmal nach unten, um das Material zu durchschneiden.
5. Halten Sie den Hebel bei der Auf- und Abbewegung immer gut fest.
6. Ziehen Sie die Stanzplatte unter der Druckplatte heraus und entnehmen Sie das Stanzeisen sowie die gestanzten Formen, Buchstaben und Ziffern.

#### Bei Verwendung von extragroßen (XL), extragroßen und extralangen (XL-L), extrabreit (EW) und doppelten (DC) SureCut™ oder ClearCrop™ Stanzeisen Extragroße (XL) und Doppelstanzeisen (DC) sind doppelt so lang wie winzige, kleine oder große Stanzeisen und erfordern zwei Schnitte.

1. Stellen Sie den Hebel ganz nach oben.
2. Legen Sie das zu schneidende Material an der Gummiseite des Stanzeisens an und legen Sie diese mit der Gummiseite nach unten an die Stanzplatte.
3. Bei XL und DC-Stanzeisen verschieben Sie die Stanzplatte, um das Material und das Stanzeisen so zu platzieren, dass die Kante des Stanzeisens dicht an der Rückseite der Druckplatte anliegt. (Abb. C für XL-Stanzeisen und Abb. F für DC-Stanzeisen) Variieren Sie die Position von Doppelstanzeisen (DC) seitlich, um die Lebensdauer der Stanzplatte zu verlängern. (Abb. G, Seite 7)
4. Drücken Sie den Hebel einmal nach unten, um das Material durchzuschneiden.
5. Stellen Sie den Hebel nach oben, um die Stanzplatte so durch die Maschine zu schieben, dass das frei liegende Ende des Stanzeisens dicht am vorderen Ende der Druckplatte anliegt, und stanzen Sie erneut. (Abb. D für XL-Stanzeisen und Abb. F für DC-Stanzeisen)

6. Bei einigen komplexen Formen, XL-L-Stanzeisen oder EW-Stanzeisen ist möglicherweise ein dritter Stanzvorgang in der Mitte des Stanzeisens erforderlich. Zentrieren Sie das Stanzeisen in der Maschine und drücken Sie den Hebel nach unten, um einen weiteren Schnitt durchzuführen (Abb. E).
7. Halten Sie den Hebel bei der Auf- und Abbewegung immer gut fest.
8. Ziehen Sie die Stanzplatte unter der Druckplatte heraus und entnehmen Sie das Stanzeisen sowie die gestanzten Formen, Buchstaben und Ziffern.

#### **Bei Verwendung von SureCut Falz-Stanzeisen**

- Ein SureCut Falz-Stanzeisen ähnelt einem regulären SureCut Stanzeisen, hat jedoch sowohl eine Stanzkante (scharf) als auch eine Falzkante (stumpf).
- Verwenden Sie nicht mehr als eine Lage Material auf einmal, damit die Falzkante (stumpf) das Papier nicht durchschneidet.
- Siehe Bedienungsanleitung (Seite 5).
- Wenn die Falzkante das Material durchschneidet, anstatt es zu falzen, entfernen Sie nacheinander die Mylar-Ausgleichsstücke (Abb. I, Seite 9), bis die gewünschte Falz entsteht.

#### **Tipps zum erfolgreichen Stanzen**

Bei machen XL- oder DC-Stanzeisen und bei allen übergroßen Stanzeisen (XL-L oder EW) ist ein weiterer Stanzvorgang in der Mitte des Stanzeisens hilfreich. Prestige Select kann zum Stanzen aller Materialien verwendet werden, die auch mit einer Schere geschnitten werden können. Vorschläge sind unter „Verwendbare Materialien“ auf Seite 13 und 14 zu finden.

Wenden Sie die Stanzplatte regelmäßig (bei häufiger Nutzung wöchentlich) und verschieben Sie sie seitlich. Durch regelmäßiges Wenden werden beide Seiten gleichmäßig abgenutzt. Wechseln Sie die Stanzplatte aus, wenn beide Seiten abgenutzt sind und ein Hebeldruck zum Stanzen nicht mehr ausreicht.

Hinweis: Wenn die Stanzplatte nicht regelmäßig umgedreht wird und auf einer Seite stark abgenutzt ist, kann dies zu einer leichten Wölbung der Platte führen, wodurch auch die andere Seite unbrauchbar wird. Entsorgen Sie die Stanzplatte vorschriftsmäßig und ersetzen Sie sie durch eine neue (siehe „Auswechseln der Stanzplatte“ auf Seite 10). Legen Sie AUF KEINEN FALL Schnittmaterial auf die Stanzeisen. Einige Ellison Stanzeisen werden mit einem vormontierten Quick Cut Ausgleichsstück und einer entsprechenden Anleitung geliefert. Andere Stanzeisen erfordern kein Quick Cut Ausgleichsstück.

#### **Nützliche Tipps und Hinweise**

- Bei machen XL-, XL-L-, EW- oder DC-Stanzeisen ist ein weiterer Stanzvorgang in der Mitte des Stanzeisens hilfreich.
- Mit dem Prestige Select lassen sich die unterschiedlichsten Materialien stanzen. Vorschläge sind unter „Verwendbare Materialien“ auf Seite 13 und 14 zu finden.
- Beim Stanzen komplexer Formen muss mitunter die Anzahl der Materiallagen reduziert werden.
- Für SureCut Falz-Stanzeisen darf nur eine Materiallage verwendet werden.
- Beim Stanzen dünner Stoffe sollte ein Stück Papier über das Material gelegt werden.
- Beim Stanzen mit asymmetrischen Stanzeisen (ungleichmäßige Verteilung der Schnittkanten am Stanzeisen, wie z. B. beim großen T oder einem Segelboot), platzieren Sie das Stanzeisen ca. 6 mm näher zur Mitte, sodass das Ende mit der größeren Schnittkantenlänge näher zur Mitte der Maschine (und damit unter den Drucklagern) liegt.
- Es ist praktisch, die Stanzeisen auf der Seite liegend aufzubewahren. Legen Sie das Stanzeisenregal auf die Seite, damit die Eisen vertikal und nicht horizontal liegen. Ordnen Sie die Stanzeisen von links nach rechts alphabetisch an; auf diese Weise lassen sie sich rascher finden und auswechseln. Zudem lassen sich die Stanzeisen leichter in die Öffnung schieben und bleiben seltener an der Trennwand hängen. (Trifft nicht auf das Wandregal, die Workstation-Box oder das Drehregal zu.)
- Es ist wichtig, den Stanzpick (im Werkzeugsatz enthalten) zum Herauspicken von Papierschnitzeln und sonstigem Material zu verwenden, das sich mit der Zeit in den Fugen der Stanzeisen (an den Stanz- bzw. Faltkanten) festsetzt. Wenn die Stanzeisen nicht sauber gehalten werden, drücken die Ablagerungen die Schneidkonturen mit der Zeit etwas auseinander. Die Reinigung ist besonders wichtig beim Schneiden von dicken Materialien wie flexiblen Magnetplatten, Pop-Up Schwammmaterial oder selbstklebendem Filz.

#### **Wartung**

Problem - „Meine Stanzeisen müssen stumpf sein - sie schneiden einfach nicht mehr richtig.“

Lösung - Nicht das Stanzeisen, sondern die Stanzplatte muss ausgewechselt werden!

### **Anzeichen für eine abgenutzte Stanzplatte**

Das Prestige Select ist sehr einfach zu warten. Nach vielen Einsätzen (in der Regel nach vier bis sechs Monaten) ist die Stanzplatte (Abb. H und I) abgenutzt. Wenn die Maschine nicht mehr richtig schneidet, führen Sie eine Teststanzung mit vier Lagen Bastelpapier durch und verwenden dazu das Teststanzeisen im Werkzeugsatz. Das Teststanzeisen hat die gleiche Größe wie die Druckplatte und sollte beim Einlegen in die Maschine von der Druckplatte vollständig abgedeckt werden. Wenn das Teststanzeisen die ersten beiden Papierlagen durchstanzt, die dritte bzw. vierte Lage jedoch nur unvollständig durchdringt, muss die Stanzplatte gewendet werden.

### **Wenden oder Auswechseln der Stanzplatte**

Prestige Select sollte sechs bis acht Lagen Bastelpapier mit nur einem Hebeldruck und ohne Schere durchtrennen.

Wenden der Stanzplatte

Wenden Sie die Stanzplatte regelmäßig (bei häufiger Verwendung wöchentlich), um beide Seiten

gleichmäßig abzunutzen.

Auswechseln der Stanzplatte

1. Wenn beide Seiten der Stanzplatte nicht mehr mindestens vier Blatt Bastelpapier mit einem Hebeldruck durchstanzen oder wenn der Schnitt mit einer Schere vervollständigt werden muss, muss die Stanzplatte ausgewechselt werden.
2. Ziehen Sie die Stanzplatte (Abb. H und I, Seite 9) aus der Maschine und entsorgen Sie sie vorschriftsmäßig.
3. Entfernen Sie die Mylar-Ausgleichsstücke (Abb. I) unter der Stanzplatte und bewahren Sie sie auf.
4. Setzen Sie den Stoß Ausgleichsstücke wieder in das Gerät ein und achten Sie darauf, dass die Lasche des Ausgleichsstückstoßes (Abb. I, Vergrößerung) fest in der Halterung sitzt (Vergrößerung). Der Stoß Ausgleichsstücke sollte STETS im Gerät verbleiben, damit der Stanzdruck richtig verteilt ist.
5. Setzen Sie über dem Stoß Ausgleichsstücke eine neue Stanzplatte ins Gerät.
6. Überprüfen Sie folgendermaßen die richtige Höhe der Stanzplatte:
  - a. Platzieren Sie das Teststanzeisen (im Werkzeugsatz) mit der Gummiseite nach unten auf die Stanzplatte und schieben Sie es OHNE Pummel in das Gerät. Drücken Sie dann den Hebel einmal nach unten.
  - b. Nehmen Sie das Stanzeisen und die Stanzplatte aus der Maschine und begutachten Sie den Abdruck, den das Stanzeisen auf der Stanzplatte hinterlassen hat. Es sollte ein LEICHTER Abdruck der gesamten Stanzeisenform auf der Stanzplatte zu sehen sein.
  - c. Wenn kein Abdruck vorhanden oder wenn der Abdruck unvollständig ist, fügen Sie nacheinander jeweils ein Mylar-Ausgleichsstück hinzu und überprüfen Sie den Teststanzeisenabdruck nach jedem hinzugefügten Ausgleichsstück (maximal vier). Achten Sie darauf, dass die Laschen der Ausgleichsstücke an der Falzlinie vollständig umgelegt sind und fest in der Halterung sitzen (Abb. I, Vergrößerung). Das Gerät wird mit zusätzlichen Mylar-Ausgleichsstücken geliefert. Diese finden Sie im Werkzeugsatz. Der Stoß Ausgleichsstücke muss immer im Gerät verbleiben.
  - d. Wenn ein Abdruck zu sehen ist, versuchen Sie, vier Lagen Bastelpapier zu schneiden. Wenn alle Teile vollständig durchstanzt sind, stimmt die Stanzplattenhöhe.

### **Reinigen des Geräts**

Bei normalem Gebrauch verschmutzt bzw. verstaubt das Gerät mit der Zeit, besonders die Druckplatte und Nockenabdeckung (Abb. H, Seite 9). Zum Säubern nur Isopropylalkohol (Isopropanol) verwenden. Ein Papiertuch befeuchten und die Nockenabdeckung und Druckplatte damit abreiben, bis der Alkohol verdunstet ist. Verwenden Sie Wattestäbchen, um an Stellen zu kommen, die Sie mit dem Papiertuch nicht erreichen. Etwaige Rückstände mit einem neuen sauberen, trockenen Papiertuch abreiben. Auch die Grundplatte und das Anweisungsetikett können mit Isopropylalkohol gereinigt werden. Am besten sollten Sie das Gerät jedes Mal putzen, wenn die Stanzplatte ausgewechselt wird. KEINESFALLS Bleich- oder Scheuermittel zum Reinigen des Geräts verwenden. Das Gerät muss NICHT geölt oder geschmiert werden.

### **Sauberhalten der Stanzeisen**

Es ist wichtig, den Stanzpick (im Werkzeugsatz enthalten) zum Herauspickeln von Papierschnitzeln und sonstigem Material zu verwenden, das sich mit der Zeit in den Fugen der Stanzeisen (an den Stanz- bzw. Faltkanten) festsetzt. Wenn



die Stanzeisen nicht sauber gehalten werden, drücken die Ablagerungen die Schneidkonturen mit der Zeit etwas auseinander. Die Reinigung ist besonders wichtig beim Schneiden von dicken Materialien wie flexiblen Magnetplatten, Pop-Up Schwammmaterial oder selbstklebendem Filz.

#### **Anzeichen für abgenutzte Lager**

Wenn das Stanzgerät mehrere Jahre lang im Einsatz war, müssen möglicherweise die Lager ausgewechselt werden. Wenn folgende Situationen eintreten, müssen die Drucklager bzw. Endlager ausgewechselt werden.

■ Bogenförmige Endstücke des Drucklagerbauteils fallen heraus.

■ Das Nadellager zieht sich aus dem Drucklagerbauteil zurück, was daran zu erkennen ist, dass kleine Stifte zu sehen sind bzw. aus dem Gerät fallen.

In diesem Fall sollte das Gerät nicht verwendet werden, weil es ansonsten beschädigt werden kann.

■ Beim Teststanzen von vier Lagen Bastelpapier entsteht ein sauberer Schnitt (der alle vier Lagen durchdringt) auf der linken Seite der Maschine, aber kein Schnitt auf der rechten Seite (oder umgekehrt).

■ Ein Endlager ragt aus dem Gerät hervor. In diesem Fall sollte das Gerät nicht verwendet werden, weil es ansonsten beschädigt werden kann.

#### **Geben Sie die Maschine zur Generalüberholung an den Hersteller zurück**

Möchten Sie, dass Ihr Prestige Select auch nach Jahren noch wie neu stanzt? Dann ist es Zeit für eine Generalüberholung. Preisinformationen und eine Anleitung zum Einsenden des Geräts erhalten Sie telefonisch bei Ellison. Die Rufnummer lautet 800.253.2238 in den USA und 949.598.8822 außerhalb der USA.

#### **Maßnahmen zur Fehlerbehebung**

1. Die Stanzung geht nicht durch alle Materiallagen.

Schneiden Sie nur die empfohlene Anzahl von Materiallagen und prüfen Sie, ob der gesamte Stoß Ausgleichsstücke im Gerät eingebaut ist. Wenn die Stanzeisen die empfohlene Anzahl Materiallagen nicht vollständig durchdringen, obwohl die Ausgleichsstücke eingebaut sind, ist die Stanzplatte abgenutzt. Wenn die Stanzplatte einseitig abgenutzt ist, wenden Sie die Platte, um eine neue Stanzfläche zu erhalten. Wenn beide Seiten abgenutzt sind, entsorgen Sie die alte Stanzplatte und ersetzen Sie sie durch eine neue. Näheres hierzu finden Sie unter „Auswechseln der Stanzplatte“ (Seite 10).

Wenn das Problem damit nicht behoben wird, fügen Sie unter der Stanzplatte weitere Mylar-Ausgleichsstücke hinzu, bis die Stanzung funktioniert. Der Stoß Ausgleichsstücke muss immer im Gerät verbleiben. Weitere Informationen finden Sie im Abschnitt „Anzeichen für abgenutzte Lager“ (Seite 11).

2. Die obere oder untere Stanzeisenseite schneidet nicht.

Benutzen Sie das Standardstanzeisen und achten Sie darauf, dass es unter der Druckplatte zentriert ist, oder versuchen Sie, den nicht schneidenden Teil weiter unter die Druckplatte zu schieben. Bei XL-, XL-L-, EW- oder DC-Stanzeisen können Sie es mit einem weiteren Stanzvorgang in der Mitte des Stanzeisens versuchen.

3. Das Stanzeisen durchdringt nur einen Teil eines Buchstabens oder Motivs.

Wenn Sie die Lösungen 1 und 2 ausprobiert haben und die Stanzeisen trotzdem nicht vollständig durchschlagen, versuchen Sie, weniger Lagen auf einmal zu stanzen. Sehr große oder komplexe Formen (z. B. Schneeflocken oder Spinnen) erfordern mehr Druck und möglicherweise auch weniger Materiallagen.

4. Unsaubere Kanten bei Buchstaben.

Die Stanzplatte ist nicht glatt. Wenden Sie die Stanzplatte. Wenn beide Seiten abgenutzt sind, setzen Sie eine neue Stanzplatte ein. Näheres hierzu finden Sie unter „Wenden oder Auswechseln der Stanzplatte“ (Seite 10).

5. Papierbuchstaben und -formen sind faltig oder „geprägt“.

Drücken Sie den Hebel nur so weit herunter, dass der Schnitt ausgeführt wird (ca.  $\frac{3}{4}$  einer vollständigen Hebelbewegung), oder stanzen Sie weniger Lagen. Zentrieren Sie das Stanzeisen unter der Druckplatte.

6. Die Mitte der Stanzplatte nutzt sich schnell ab.

Zentrieren Sie Standardstanzeisen immer unter der Druckplatte, variieren Sie die Platzierung jedoch in seitlicher Richtung, damit die Stanzplatte über die gesamte Breite gleichmäßig abgenutzt wird.

7. Stanzeisengummi abgenutzt, locker oder nicht vorhanden.

Den losen Gummi mit gelbem Holzleim am Stanzeisen festkleben. Wenn der Gummi abgenutzt ist oder fehlt, fordern Sie bei Ellison eine Anleitung zum Anbringen einer neuen Gummibeschichtung an.

8. Der Gummi wirft nicht alle Teile des ausgestanzten Materials aus.

Entfernen Sie überschüssiges Material nach jedem Einsatz mit dem Stanzpick.

Wenn der Gummi abgenutzt ist oder fehlt, fordern Sie bei Ellison eine Anleitung zum

Anbringen einer neuen Gummibeschichtung an.

### **Verwendbare Materialien**

Im Allgemeinen gilt, dass das Prestige Select Gerät alles schneidet, was sich mit einer Schere schneiden lässt. Die Lager des Geräts halten jedoch länger, wenn die Maschine nicht überladen wird. Die Anzahl der schneidbaren Materialstücke hängt von der Dicke des zu schneidenden Materials und der Größe und Komplexität des Stanzmotivs ab. Verwenden Sie beim Schneiden mit SureCut Falz-Stanzeisen nur eine Materiallage.

- IBeim Stanzen von Filz oder dünnen Materialien empfiehlt es sich, eine Lage Papier aufzulegen, um den Schnitt zu erleichtern. Dieses Papier liegt beim Schneiden in Richtung Stanzplatte.
- IBei einigen äußerst komplizierten Motiven (z. B. Schneeflocken oder Spinnen) müssen u. U. weniger Materiallagen verwendet werden.
- Verwenden Sie beim Schneiden mit SureCut Falz-Stanzeisen nur eine Materiallage.

### **Garantie**

**Ellison® Prestige™ Select EINGESCHRÄNKTE GARANTIE AUF LEBENSDAUER**  
Was wird von dieser Garantie abgedeckt? Diese Garantie gilt für Herstellungsmängel an Ihrem Ellison Prestige Select Stanzgerät (das „Produkt“).

Was lange gilt die Garantie? Für dieses Produkt gilt eine Garantie auf Lebensdauer. Heben Sie den Kassenbeleg als Kaufnachweis auf; Sie benötigen diesen Beleg unter Umständen für Garantieleistungen.

Wie funktioniert die Ellison Garantie? Ellison repariert oder ersetzt Produkte mit Herstellungsmängeln, die während der Produktlebensdauer zurückgeschickt werden. Was wird von der Garantie nicht abgedeckt? Diese Garantie gilt nicht für Schäden oder Defekte, die auf falsche Verwendung oder Missbrauch des Produkts oder auf kommerzielle anstelle von privater oder institutioneller Verwendung zurückzuführen sind. Die Schieben Des Tellersegmentes, die obere Walze und die Kunststoffrutschen werden von dieser Garantie nicht abgedeckt.

**Haftungsausschlüsse** ELLISON ÜBERNIMMT KEINE HAFTUNG FÜR NEBEN-ODER FOLGESCHÄDEN, PERSONENVERLETZUNGEN (EINSCHLIESSLICH SOLCHE MIT TODESFOLGE) ODER SACHSCHÄDEN. DIE DAUER VON STILLSCHWEIGENDEN GARANTIE IST AUF DIE DAUER DER OBEN ANGEGEBENEN AUSDRÜCKLICHEN GARANTIE BESCHRÄNKT. IN EINIGEN LÄNDERN IST EIN AUSSCHLUSS ODER EINE BESCHRÄNKUNG DER HAFTUNG FÜR NEBEN- BZW. FOLGESCHÄDEN, PERSONENVERLETZUNGEN ODER EINE BESCHRÄNKUNG DER DAUER DER STILLSCHWEIGENDEN GARANTIE UNZULÄSSIG. DIESE EINSCHRÄNKUNGEN TREFFEN ALSO UNTER UMSTÄNDEN NICHT AUF SIE ZU. DURCH DIESE GARANTIE KOMMEN IHNEN BESTIMME RECHTE ZU; SIE VERFÜGEN UNTER UMSTÄNDEN ÜBER WEITERE, VON LAND ZU LAND UNTERSCHIEDLICHE RECHTE.

Wie erhalten Sie Garantieleistungen? Falls Sie während der Garantiedauer einen Herstellungsmangel an Ihrem Produkt feststellen, setzen Sie sich unter der folgenden Telefonnummer oder Website mit dem Ellison Kundendienst in Verbindung:  
[ellison.com/educators](http://ellison.com/educators)

1-800-253-2238 (gebührenfrei in den USA)

+1-949-598-8822 (von außerhalb der USA)

0871-222-2277 (innerhalb der Großbritannien)

+44-0-845-345-2277 (von außerhalb der Großbritannien)

Ihnen wird dann eine Rücksendegenehmigung (RA) mit Versandinformationen ausgestellt. Falls Ellison bestimmt, dass ein von der Garantie abgedeckter Defekt vorliegt, unternimmt Ellison Folgendes: (a) Sie erhalten Ersatzteile oder (b) Sie erhalten ein Ersatzprodukt. Produkte, die nicht von dieser Garantie abgedeckt sind, werden auf Ihre Kosten an Sie zurückgeschickt.

### **Eingeschränkte Garantie für Ellison SureCut und ClearCrop Stanzeisen**

Für Ellison SureCut Stanzeisen gilt eine Eingeschränkte Garantie von 3 Jahren. Für ClearCrop Stanzeisen gilt eine Eingeschränkte Garantie von 2 Jahren. Wir garantieren, dass die Stanzeisen frei von Material- und Herstellungsmängeln sind, und dass diese bei korrekter Verwendung und Wartung gemäß den Anweisungen in dieser Bedienungsanleitung den vorgesehenen Zweck auf zufriedenstellende Weise erfüllen. Zu kompletter Garantieinformation Besuch [Ellison.com/support](http://Ellison.com/support).

Verbessert: LGL/073008/v1

# Spanish

## **INSTRUCCIONES DE SEGURIDAD IMPORTANTES CONSERVE ESTAS INSTRUCCIONES**

**Lea todas las instrucciones antes de utilizar la máquina. Lea y comprenda estas instrucciones antes de usar su máquina Prestige. Tenga en cuenta siempre las precauciones básicas cuando utilice este producto, entre ellas:**

- Supervise atentamente el uso de la máquina cerca de los niños para reducir el riesgo de lesiones personales.
- No entre en contacto con piezas móviles.
- Utilice solamente los accesorios recomendados o vendidos por el fabricante.
- No la utilice en exteriores.
- Peligro de impacto. Manténgase alejado del arco de trayectoria de la manija y del área de corte una vez que se ha hecho descender la manija. Sujete la manija firmemente después de cada corte al volver a levantarla.
- No cargue la máquina en exceso.
- Peligro de corte. Evite el contacto con las cuchillas del troquel.
- Se recomienda que personas adultas supervisen a los niños.

### **Introducción**

La Ellison® Prestige® Select se entrega ensamblada y lista para usar. Prestige Select corta a la vez múltiples láminas de material de una amplia variedad de productos (consulte la Guía de materiales, páginas 13 y 14). La Prestige Select aplica presión a los troqueles con una regla de acero que corta el material. La afilada hoja cortante de los troqueles está cubierta con goma para ayudar a proteger los dedos y a expulsar el material que se ha cortado. Coloque los troqueles (las formas decorativas, letras y números se venden por separado) en los soportes para almacenar troqueles (se venden por separado). Vea un método de almacenamiento sugerido en Ayudas y sugerencias (página 8).

### **Ubicación de la máquina**

Coloque la Prestige Select sobre una superficie lisa, plana y antideslizante a una altura cómoda para el usuario cuando esté de pie. Ninguna pieza de la máquina debe sobrepasar el borde de la superficie de trabajo.

Coloque la máquina en la superficie de trabajo con el lateral de la máquina mirando al usuario y la parte delantera de la misma a la derecha (Figura A, página 5).

### **Instrucciones de funcionamiento**

#### **Utilización de troqueles estándar SureCut™ y ClearCrop™ (grandes, pequeños y diminutos)**

1. Suba la manija por completo.
2. Coloque el material a cortar contra el lado de goma del troquel y coloque el lado de goma hacia abajo sobre la almohadilla de corte.
3. Deslice la almohadilla de corte para centrar el material y el troquel bajo la placa de presión (Figura A).

Nota: Alterne la ubicación del troquel de lado a lado para prolongar la vida de la almohadilla de corte (Figura B).

4. Baje la manija una vez para cortar el material.
5. Sujete firmemente la manija cuando la suba o la baje.
6. Saque la almohadilla de corte de debajo de la placa de presión deslizándola y quite el troquel. Luego podrá cortar figuras, letras y números perfectamente.

#### **Utilización de troqueles SureCut™ o ClearCrop™ extra grandes (XL), extra grandes-largos (XL-L), extra ancho (EW) y de corte doble (DC)**

**Un troquel extra grande (XL) o de corte doble (DC) es el doble de largo que un troquel diminuto, pequeño o grande, y requiere dos cortes.**

1. Suba la manija por completo.
2. Coloque el material a cortar contra el lado de goma del troquel y coloque el lado de goma hacia abajo sobre la almohadilla de corte.
3. Para los troqueles XL y DC, deslice la almohadilla de corte para colocar el material y el troquel de modo que el borde del troquel esté a ras con la parte trasera de la placa de presión (Figura C para los troqueles XL y Figura F para los troqueles DC). Alterne la ubicación del troquel para los troqueles de corte doble (DC) de lado a lado para prolongar la vida de la almohadilla de corte (Figura G, página 7).
4. Baje la manija una vez para cortar el material.
5. Suba la manija para deslizar la almohadilla de corte a través de la máquina, de modo que el extremo expuesto del troquel esté ahora a ras con la parte delantera

de la placa de presión y corte de nuevo (Figura D para los troqueles XL y Figura G para los troqueles DC).

6. Con algunas formas complejas, troqueles XL-L o troqueles EW, es posible que sea necesario cortar una tercera vez en el medio del troquel. Centre el troquel en la máquina y baje la manija para cortar de nuevo (Figura E).
7. Sujete firmemente la manija cuando la suba o la baje.
8. Saque la almohadilla de corte de debajo de la placa de presión deslizándola y quite el troquel. Luego podrá cortar figuras, letras y números perfectamente.

#### **Cómo usar los troqueles con regla de pliegue SureCut**

- Un troquel con regla de pliegue SureCut es similar a un troquel común SureCut; sólo que contiene tanto la regla de corte (afilada) como la regla de pliegue (roma).
- Para evitar que la regla de pliegue (roma) corte el papel, utilice sólo una lámina del material a la vez.
- Consulte las Instrucciones de funcionamiento (página 5).
- Si la regla de pliegue está cortando el material en lugar de plegar el material, quite las cuñas Mylar una a una (Figura I, página 9) hasta que se produzca el plegado deseado.

#### **Sugerencias para un corte satisfactorio**

Con algunos troqueles XL o DC y con cualquier troquel de gran tamaño (XL-L o EW), es útil cortar una vez más en el medio del troquel.

La Prestige Select puede usarse para cortar cualquier cosa que puedan cortar unas tijeras. Para obtener sugerencias, consulte la Guía de materiales en las páginas 13 y 14.

Dé la vuelta a la almohadilla de corte periódicamente (semanalmente en caso de uso intenso), girándola de un lado a otro. El girar la almohadilla de corte permite que ambos lados se desgasten uniformemente. Cambie la almohadilla de corte cuando ambos lados estén gastados y dejen de cortar al tirar una vez de la manija.

Nota: si no se da la vuelta a una almohadilla de corte periódicamente y un lado se gasta intensamente, puede originarse un ligero combamiento de la almohadilla, lo que provocará que sea imposible usarla por el otro lado. Deseche adecuadamente la almohadilla de corte y reemplácela con una nueva (consulte Cómo reemplazar la almohadilla de corte, página 10). NUNCA coloque ningún material en la parte superior de los troqueles. Algunos troqueles Ellison vienen con una cuña de corte rápido previamente

#### **Ayudas y sugerencias**

- Con algunos troqueles XL, XL-L, EW o DC, es útil cortar una vez más en el medio del troquel.
- Use la Prestige Select para cortar una gran variedad de materiales diferentes. Para obtener sugerencias, consulte la Guía de materiales en las páginas 13 y 14.
- Puede que sean necesarias menos láminas de material cuando se corten formas muy complejas.
- Use sólo una lámina del material con troqueles con la regla de pliegue SureCut.
- Cuando corte tejidos finos, coloque un trozo de papel sobre el material.
- Cuando corte con un troquel asimétrico (distribución desigual de la regla de corte en los troqueles, como "T" mayúscula o Veleró), desplace el troquel aproximadamente 0,6 cm más lejos en la máquina, de modo que el extremo con la mayor cantidad de regla esté más cerca del centro de la máquina (bajo los cojinetes de presión).
- Una manera conveniente de almacenar los troqueles es de costado. Coloque el soporte de almacenamiento de troqueles de costado para que el troquel quede vertical sobre el soporte, no horizontalmente. Introduzca los troqueles alfabéticamente en el soporte de izquierda a derecha, de manera que sea más fácil encontrarlos y volverlos a colocar. Además, el troquel se deslizará en la ranura con mayor facilidad y tendrá menos probabilidad de atascarse con el divisor de soportes. (No corresponde al soporte de almacenamiento para paredes, ni al soporte para estaciones de trabajo ni al carrusel.)
- Es importante usar la púa del troquel (incluida en el Kit de herramientas) para limpiar los restos de papel y otros materiales que se acumulan en las uniones de los troqueles (donde se une con la regla de corte o pliegue). Si el troquel no se guarda limpio, los trocitos acabarán empujando ligeramente la regla. Esta limpieza es especialmente importante si se cortan materiales gruesos, como láminas imantadas flexibles, esponjas con relieve o filtro autoadhesivo.

#### **Mantenimiento**

Problema – "Mis troqueles se deben estar quedando romos, ya no cortan muy bien".

Solución – No es el troquel el que necesita un recambio, ¡es la almohadilla de corte!

### **Cómo reconocer una almohadilla de corte gastada**

La Prestige Select necesita muy poco mantenimiento. Después de un uso considerable (normalmente de cuatro a seis meses), la almohadilla de corte (Figuras H e I) se gastará. Si la máquina no está cortando con eficacia, realice una prueba de corte con cuatro piezas de cartulina, utilizando el troquel de prueba incluido en el Kit de herramientas. El troquel de prueba tiene el mismo tamaño que la placa de presión y debe quedar cubierto por completo por la placa de presión cuando se introduzca en la máquina. Si el troquel de prueba corta las dos primeras capas de papel y sólo corta parcialmente la tercera y/o la cuarta, es momento de dar la vuelta a la almohadilla de corte o de sustituirla.

### **Inversión o cambio de la almohadilla de corte**

La Prestige Select debe cortar de seis a ocho capas de cartulina al tirar una vez de la manija, sin utilizar tijeras.

Inversión de la almohadilla de corte

Dé la vuelta a la almohadilla de corte periódicamente (semanalmente en caso de uso intenso), para conseguir un desgaste uniforme en ambos lados.

Cambio de la almohadilla de corte

1. Cuando ambos lados de la almohadilla de corte ya no cortan al menos cuatro láminas de cartulina al tirar una vez de la manija, o es preciso usar tijeras para completar el corte, es necesario sustituir la almohadilla de corte.
2. Deslice la almohadilla de corte (Figuras H e I, página 9) fuera de la máquina y deséchela adecuadamente.
3. Quite y guarde todas las cuñas Mylar (Figura I) bajo la almohadilla de corte.
4. Sustituya la unidad de cuñas escalonadas de la máquina, cerciorándose de que la pestaña de la unidad de cuñas escalonadas (Figura I, Encarte) esté firmemente introducida en el clip de la cuña (Encarte). Mantenga la unidad de cuñas escalonadas en la máquina EN TODO MOMENTO para distribuir la presión de corte adecuadamente en la máquina.
5. Introduzca una nueva almohadilla de corte en la máquina encima de la unidad de cuñas escalonadas.
6. Compruebe la altura de la almohadilla de corte usando los siguientes procedimientos:
  - a. Coloque el troquel de prueba (se encuentra en el Kit de herramientas) con el lado de goma hacia abajo en la almohadilla de corte y deslícelo en la máquina SIN papel. Luego tire una vez de la manija hacia abajo.
  - b. Deslice el troquel y la almohadilla de corte fuera de la máquina para comprobar la impresión realizada por el troquel en la almohadilla de corte. Debería haber una LIGERA impresión de la forma completa del troquel en la almohadilla de corte.
  - c. Si no se ha realizado ninguna impresión o sólo una impresión incompleta, añada una cuña Mylar cada vez, comprobando la impresión del troquel de prueba entre las adiciones de cada cuña (máximo de cuatro). Cerciórese de que las pestañas de la cuña estén completamente dobladas en la línea de pliegue y fijadas en el clip de la cuña (Figura I, Encarte). Hay cuñas Mylar adicionales en el Kit de herramientas que viene con la máquina. Deje siempre la unidad de cuñas escalonadas en la máquina.
  - d. Cuando aparezca una impresión, intente cortar cuatro piezas de cartulina. Si se cortan por completo todas las piezas, la altura de la almohadilla de corte es correcta.

### **Cómo limpiar su máquina**

Con el tiempo, y a causa del uso normal, la máquina se ensuciará o se cubrirá de polvo. Esto sucederá principalmente en la placa de presión y en la cubierta de la leva (Figura H, página 9). Para limpiar, utilice sólo una toalla de papel limpia empapada en alcohol isopropílico y frote por la cubierta de la leva y la placa de presión hasta que se evapore. Utilice bastoncillos de algodón para alcanzar zonas a las que la toalla de papel no llegue. Seque cualquier residuo con otra toalla de papel limpia y seca. El alcohol isopropílico puede usarse también para limpiar la placa de base y la etiqueta de instrucciones. Es buena idea limpiar la máquina cada vez que se cambie la almohadilla de corte. No utilice NUNCA lejía ni limpiadores abrasivos en la máquina. La máquina NO necesita aceite ni lubricación.

### **Cómo mantener limpios los troqueles**

Es importante usar la púa del troquel (incluida en el Kit de herramientas) para limpiar los restos de papel y otros materiales que se acumulan en las uniones de los troqueles (donde se une con la regla de corte o pliegue). Si el troquel no se guarda

limpio, los trocitos acabarán empujando ligeramente la regla. Esta limpieza es especialmente importante si se cortan materiales gruesos, como láminas imantadas flexibles, esponjas con relieve o filtro autoadhesivo.

### **Cómo reconocer cojinetes gastados**

Después de algunos años de uso, los cojinetes pueden necesitar reemplazarse. Si se produce alguna de las siguientes situaciones, deben sustituirse los cojinetes de presión y/o los cojinetes de extremo:

- Las piezas de los extremos en forma de arco de la unidad de cojinetes de presión se desprenden.
- El cojinete de aguja se separa de la unidad de cojinetes de presión y ello se percibe porque se pueden ver pequeñas clavijas o porque éstas se desprenden de la máquina. No use la máquina una vez que haya sucedido esto, de lo contrario podría deteriorarla.
- La prueba de corte en la que se usen cuatro piezas de cartulina termina con un corte limpio (de las cuatro piezas) en el lado izquierdo de la máquina y sin corte en el lado derecho (o al revés).
- Los cojinetes de extremo sobresalen por un lado de la máquina. No use la máquina una vez que haya sucedido esto, de lo contrario podría deteriorarla.

### **Devuelva su máquina para una renovación completa**

Después de muchos años de uso, ¿le gustaría que su Prestige Select cortase como si fuese nueva? Si es así, es momento de realizar una puesta a punto. Para conseguir una hoja con información sobre precios e instrucciones de devolución, llame a Ellison dentro de EE. UU. al 800.253.2238 o desde fuera de EE. UU. al 949.598.8822.

### **Solución de problemas**

#### **1. Los troqueles no cortan del todo.**

Corte sólo el número de piezas de material recomendado y cerciórese de que la máquina cuente con la unidad de cuñas escalonadas completa. Si los troqueles no cortan del todo con el número de piezas recomendado y la unidad de cuñas escalonadas está en la máquina, la almohadilla de corte estará gastada. Si la almohadilla de corte está gastada sólo por un lado, dele la vuelta para conseguir una superficie de corte nueva. Si está gastada por ambos lados, deséchela adecuadamente y cámbiela por una almohadilla de corte nueva. Revise *Cómo reemplazar la almohadilla de corte* (página 10).

Si el problema persiste, añada una o más cuñas Mylar bajo la almohadilla de corte hasta que se logre el corte adecuado. Deje siempre la unidad de cuñas escalonadas en la máquina. Revise *Cómo reconocer cojinetes gastados* (página 11).

#### **2. La parte superior o inferior del troquel no corta.**

Con un troquel estándar, cerciórese de que esté centrado bajo la placa de presión o pruebe a colocar la parte que no corta más allá bajo la placa de presión. Con un troquel XL, XL-L, EW o DC, pruebe a cortar una vez adicional en el medio del troquel.

#### **3. Los troqueles cortan sólo parte de la letra o diseño.**

Si se han intentado las soluciones 1 y 2, y los troqueles siguen sin cortar completamente, pruebe a cortar menos piezas de material a la vez. Las formas muy grandes o complejas (p. ej. copos de nieve o arañas) requieren más presión y puede que no se corten, al igual que con mucho grosor.

#### **4. Bordes de las letras no uniformes.**

La almohadilla de corte está rugosa. Dé la vuelta a la almohadilla de corte. Si ambos lados están gastados, reemplácela con una nueva almohadilla de corte. Revise *Inversión o cambio de la almohadilla de corte* (página 10).

#### **5. Las formas/letras de papel salen arrugadas o "repujadas".**

Presione la manija hacia abajo sólo lo suficiente para cortar (unos 3/4 del recorrido de descenso) o corte menos láminas. Centre el troquel bajo la placa de presión.

#### **6. El centro de la almohadilla de corte se está gastando rápidamente.**

Mantenga los troqueles estándar centrados bajo la placa de presión pero varíe la colocación del troquel de un lado a otro para uniformizar el desgaste por toda la almohadilla de corte.

#### **7. No hay goma en el troquel, o está gastada o floja.**

Use pegamento de carpintero amarillo para unir la goma suelta a los troqueles. Si la goma está gastada o no hay goma, llame a Ellison y solicite instrucciones sobre cómo volver a colocarla.

#### **8. La goma no expulsa todas las partes del material de corte.**

Use la púa del troquel para extraer el exceso de material después de cada uso. Si la goma está gastada o no hay goma, llame a Ellison y solicite instrucciones sobre

cómo volver a colocarla.

### Guía de materiales

Como regla general, la Prestige Select cortará todo lo que puede cortarse con una tijera. Sin embargo, los cojinetes de la máquina durarán más si la máquina no se carga en exceso. La cantidad de piezas del material que cortará dependerá del grosor a cortar, y del tamaño y la complejidad del diseño del troquel. Use sólo una lámina del material cuando corte con troqueles con la regla de pliegue SureCut.

- Deberá colocarse un papel protector sobre los materiales delicados o de fieltro para ayudar al corte. El papel protector estará lo más cerca posible de la almohadilla de corte cuando se inserte en la máquina.
- IPuede que resulte necesario usar menos láminas de material con pocas formas complejas (p. ej. copos de nieve o arañas).
- Use sólo una lámina del material cuando corte con un troquel con la regla de pliegue SureCut.

### Garantías

#### **GARANTÍA LIMITADA DE POR VIDA de Ellison® Prestige™ Select**

¿Qué cubre esta garantía? Esta garantía cubre cualquier defecto de fabricación de su máquina troqueladora Ellison Prestige Select (el "Producto").

¿Cuál es el periodo de validez de la garantía? Este Producto viene con una garantía de por vida. Debe conservar su recibo como prueba de compra, ya que podría ser necesario para obtener el servicio técnico bajo garantía.

¿Qué hará Ellison? Ellison reparará o sustituirá todos los Productos con defectos de fabricación devueltos durante la vida del Producto.

¿Qué no cubre esta garantía? Esta garantía no cubre los daños o defectos causados por el uso incorrecto o abuso del Producto, o el uso del Producto para aplicaciones comerciales en vez de personales o institucionales. La bandeja del resbalar, el rodillo superior y los carros de plástico quedan excluidos de esta garantía.

**Exoneraciones de la garantía.** ELLISON NO SERÁ RESPONSABLE POR DAÑOS EMERGENTES Y ACCIDENTALES, DAÑOS POR LESIONES PERSONALES (INCLUIDA LA MUERTE) Y DAÑOS A BIENES. LA DURACIÓN DE TODAS LAS GARANTÍAS IMPLÍCITAS SE LIMITARÁ A LA DURACIÓN DE LA GARANTÍA EXPRESA ESTABLECIDA EN ESTE DOCUMENTO. ALGUNOS ESTADOS NO PERMITEN LA EXCLUSIÓN O LIMITACIÓN DE DAÑOS ACCIDENTALES O EMERGENTES, DAÑOS POR LESIONES PERSONALES, O EL PERIODO DE LAS GARANTÍAS IMPLÍCITAS, POR LO QUE ESTAS LIMITACIONES PODRÍAN NO APLICAR EN SU CASO. ESTA GARANTÍA LE OTORGA DERECHOS LEGALES ESPECÍFICOS, Y USTED TAMBIÉN PODRÍA TENER OTROS DERECHOS QUE VARIARÁN DE UN ESTADO AL OTRO.

¿Cómo consigo servicio técnico bajo garantía? Si cree que su Producto tiene un defecto de fabricación durante el periodo de garantía, comuníquese con el Servicio de Atención al Cliente de Ellison llamando al siguiente número de teléfono o sitio web:

[ellison.com/educators](http://ellison.com/educators)

800-253-2238 (gratuito en EE. UU.)

949-598-8822 (fuera de EE. UU.)

0871 222 2277 (dentro de Reino Unido.)

+44 0 845 345 2277 (fuera de Reino Unido.)


Se le emitirá un número de autorización para devolución de mercancías, junto con la información de envío. Después de que Ellison determine que el Producto presenta un fallo cubierto por esta garantía, Ellison: (a) le enviará piezas de repuesto o (b) le enviará un producto de repuesto. El Producto no cubierto por esta garantía se devolverá pero usted deberá pagar los gastos.

#### **Garantía limitada del troquel ClearCrop y SureCut de Ellison.**

Los troqueles SureCut de Ellison tienen 3 años de garantía limitada. Los troqueles ClearCrop de Ellison tienen 2 años de garantía limitada. Prometemos que los troqueles estarán libres de defectos de material o mano de obra y que, si se usan y mantienen correctamente como se indicó en este folleto de instrucciones, funcionarán satisfactoriamente para el propósito previsto.

Para la información completa de la garantía, visita [www.ellison.com/support](http://www.ellison.com/support).

Revisado: LGL/073008/v1



**For additional help, call Ellison within USA 800.253.2238 or  
outside USA 949.598.8822 or within UK 0871 222 2277 or  
outside UK +44 (0) 845 345 2277  
within USA Fax 800.253.2240 or outside USA Fax 949.598.8835  
[ellison.com/educators](http://ellison.com/educators)**